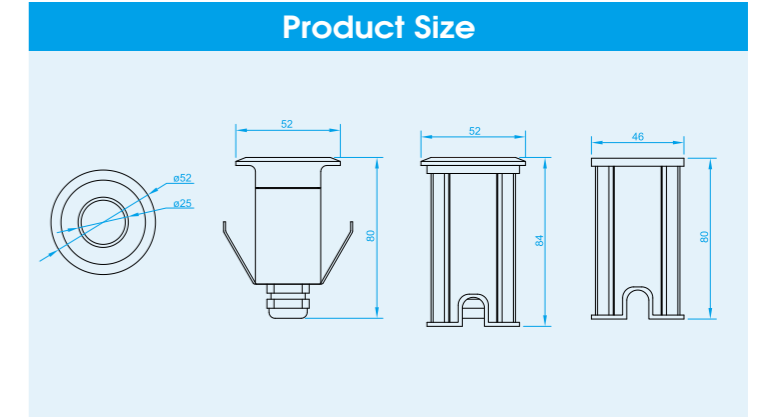


LED 嵌入式水底灯

LED Recessed pool light

Application

Application to Green Belt, Park landscape design, Garden pedestrian street Parking area, Square night view, Bridge and building outdoor water features.

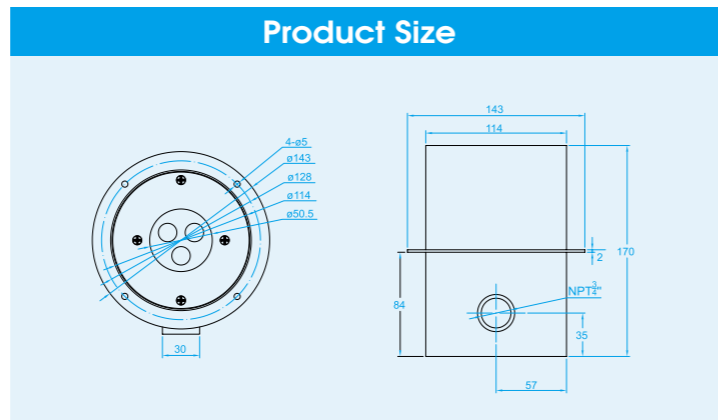


Specification

Model No.:	RS-UW3W316X(88139)
Front cover & Housing:	Stainless steel 316L
Dimensions:	D52*H80mm
Tempered Glass:	6mm thickness
LED chip:	Epistar
LED Q'ty:	1pc 3W LED / 1pc 3in1 LED
Cable gland:	Stainless steel 316L PG9
Driver:	Constant current driver
Lens:	Clear, Bead, Frosted
Beam Angle Options:	10° 30° 45° 60° 90°
Power Cable:	2*1.0mm ² / 4*0.75mm ² VDE rubber cable
Protection Class:	IP68
Environment:	Dry / Submerged
Mounting Hardware:	Embedded System
Net Weight:	0.45kgs with 1.5m cable
Lifetime:	>50000H

Order information

Item code	Color	Light source(w)	Line Way	Input Voltage (v)	Operating current (mA)	Consumption (w)	Luminous flux (lm)
88139.013.01	2700-3000K	1*3	V+/V-	DC12-24	250 / 125	3	140
88139.013.02	4000-4500K	1*3	V+/V-	DC12-24	250 / 125	3	148
88139.013.03	5000-5500K	1*3	V+/V-	DC12-24	250 / 125	3	155
88139.013.04	6000-6500K	1*3	V+/V-	DC12-24	250 / 125	3	155
88139.013.05	Red	1*3	V+/V-	DC12-24	166 / 125	2	35
88139.013.06	Green	1*3	V+/V-	DC12-24	250 / 125	3	90
88139.013.07	Blue	1*3	V+/V-	DC12-24	250 / 125	3	40
88139.013.08	Yellow	1*3	V+/V-	DC12-24	250 / 125	3	95
88139.013.09	RGBV+ [build-in CC driver]	1*3in1	R/G/B/V+	DC12-24	R: 83 / 42 G: 83 / 42 B: 83 / 42	R: 1 B: 1 G: 1	R: 25 G: 60 B: 30

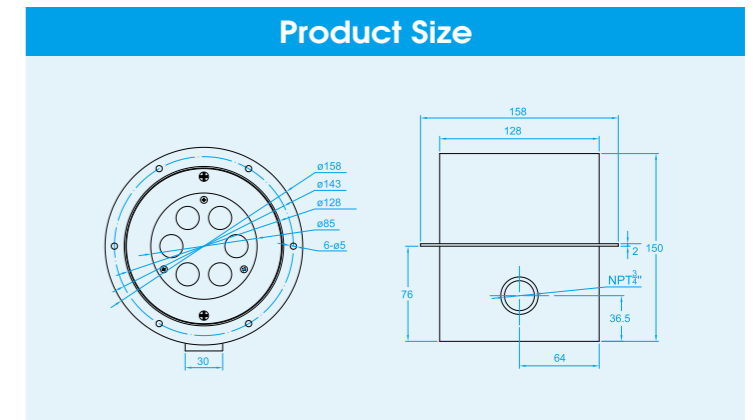


Specification

Model No.:	RS-RP9W316X(88250) / RS-RP12W316X(88250)
Front cover & Housing:	316L Stainless steel lamp body+Stainless steel 304 Niche
Dimensions:	D114*H170mm
Tempered Glass:	8mm thickness
LED chip:	Cree / Edison
LED Q'ty:	3pcs 3W LED / 3pcs 3in1 LED / 3pcs 4in1 LED
Cable gland:	Stainless steel 316L PG13.5
Driver:	Constant current driver
Lens:	Bead
Beam Angle Options:	25° 40°
Power Cable:	3/18AWG or 5/18AWG SOOW rubber cable
Protection Class:	IP68
Environment:	Dry / Pool
Mounting Hardware:	Embedded System
Net Weight:	3.4kgs with 1.5m cable
Lifetime:	>50000H

Order information

Item code	Color	Light source(w)	Line Way	Input Voltage (v)	Operating current (mA)	Consumption (w)	Luminous flux (lm)
88250.033.01	2700-3000K	3*3	V+/V-	AC/DC12-24	750 / 375	9	420
88250.033.02	4000-4500K	3*3	V+/V-	AC/DC12-24	750 / 375	9	445
88250.033.03	5000-5500K	3*3	V+/V-	AC/DC12-24	750 / 375	9	465
88250.033.04	6000-6500K	3*3	V+/V-	AC/DC12-24	750 / 375	9	465
88250.033.05	Red	3*3	V+/V-	AC/DC12-24	500 / 250	6	105
88250.033.06	Green	3*3	V+/V-	AC/DC12-24	750 / 375	9	270
88250.033.07	Blue	3*3	V+/V-	AC/DC12-24	750 / 375	9	120
88250.033.08	Yellow	3*3	V+/V-	AC/DC12-24	750 / 375	9	285
88250.033.09	RGB-DMX512 (3 channel)	3*3	V+ /V-/D+/D-/GND	AC/DC12-24	R: 166 / 83 B: 250 / 125 G: 250 / 125	R: 2 B: 3 G: 3	R: 35 B: 40 G: 90
88250.033.10	RGB-DMX512 (3 channel)	3*3in1	V+ /V-/D+/D-/GND	AC/DC12-24	R: 250 / 125 B: 250 / 125 G: 250 / 125	R: 3 B: 3 G: 3	R: 75 B: 90 G: 180
88250.033.11	Auto changing color	3*3in1	V+/V-	AC12-24	R: 250 / 125 B: 250 / 125 G: 250 / 125	R: 3 B: 3 G: 3	R: 75 B: 90 G: 180
88250.033.13	RGBV+ (build-in CC driver)	3*3in1	R/G/B/V+	DC12-24	R: 250 / 125 B: 250 / 125 G: 250 / 125	R: 3 B: 3 G: 3	R: 75 B: 90 G: 180
88250.034.14	RGBW-DMX512 (4 channel)	3*4in1	V+ /V-/D+/D-/GND	DC24	R: 250 / 125 B: 250 / 125 G: 250 / 125 W: 250 / 125	R: 3 B: 3 G: 3 W: 3	R: 75 B: 90 G: 180 W: 270



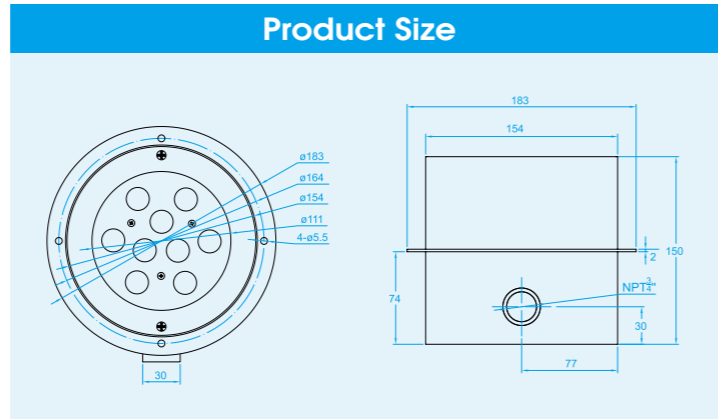
Specification

Model No.:	RS-RP18W316X(88251) / RS-RP24W316X(88251)
Front cover & Housing:	316L Stainless steel lamp body+Stainless steel 304 Niche
Dimensions:	D128*H150mm
Tempered Glass:	8mm thickness
LED chip:	Cree / Edison
LED Q'ty:	6pcs 3W LED / 6pcs 3in1 LED / 6pcs 4in1 LED
Cable gland:	Stainless steel 316L PG13.5
Driver:	Constant current driver
Lens:	Clear, Bead, Frosted
Beam Angle Options:	10° 30° 45° 60° 90°
Power Cable:	3/18AWG or 5/18AWG SOOW rubber cable
Protection Class:	IP68
Environment:	Dry / Pool
Mounting Hardware:	Embedded System
Net Weight:	3.5kgs with 1.5m cable
Lifetime:	>50000H

Order information

Item code	Color	Light source(w)	Line Way	Input Voltage (v)	Operating current (mA)	Consumption (w)	Luminous flux (lm)
88251.063.01	2700-3000K	6*3	V+/V-	AC/DC12-24	750	18	840
88251.063.02	4000-4500K	6*3	V+/V-	AC/DC12-24	750	18	880
88251.063.03	5000-5500K	6*3	V+/V-	AC/DC12-24	750	18	930
88251.063.04	6000-6500K	6*3	V+/V-	AC/DC12-24	750	18	930
88251.063.05	Red	6*3	V+/V-	AC/DC12-24	500	12	210
88251.063.06	Green	6*3	V+/V-	AC/DC12-24	750	18	540
88251.063.07	Blue	6*3	V+/V-	AC/DC12-24	750	18	240
88251.063.08	Yellow	6*3	V+/V-	AC/DC12-24	750	18	570
88251.063.09	RGB-DMX512 (3 channel)	6*3	V+ /V-/D+/D-/GND	AC/DC12-24	R: 333 / 166 B: 500 / 250 G: 500 / 250	R: 4 B: 6 G: 6	R: 70 B: 80 G: 180
88251.063.10	RGB-DMX512 (3 channel)	6*3in1	V+ /V-/D+/D-/GND	AC/DC12-24	R: 333 / 166 B: 500 / 250 G: 500 / 250	R: 6 B: 6 G: 6	R: 150 B: 180 G: 360
88251.063.11	Auto changing color	6*3	V+/V-	AC12-24	R: 333 / 166 B: 500 / 250 G: 500 / 250	R: 4 B: 6 G: 6	R: 70 B: 80 G: 180
88251.063.13	RGBV+ (build-in CC driver)	6*3	R/G/B/V+	DC12-24	R: 333 / 166 B: 500 / 250 G: 500 / 250	R: 4 B: 6 G: 6	R: 70 B: 80 G: 180
88251.064.14	RGBW-DMX512 (4 channel)	6*4in1	V+ /V-/D+/D-/GND	DC24	R: 250 B: 250 G: 250 W: 250	R: 6 B: 6 G: 6 W: 6	R: 150 B: 180 G: 360 W: 540



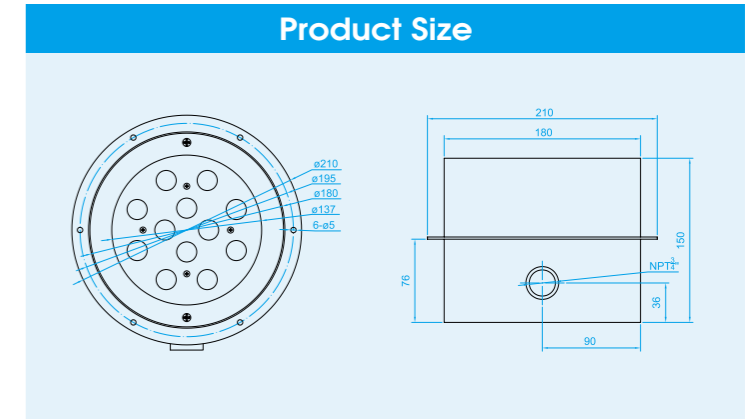


Specification

Model No.:	RS-RP27W316X(88252) / RS-RP36W316X(88252)
Front cover & Housing:	316L Stainless steel lamp body+Stainless steel 304 Niche
Dimensions:	D154*H150mm
Tempered Glass:	8mm thickness
LED chip:	Cree / Edison
LED Q'ty:	9pcs 3W LED / 9pcs 3in1 LED / 8pcs 4in1 LED
Cable gland:	Stainless steel 316L PG13.5
Driver:	Constant current driver
Lens:	Clear, Bead, Frosted
Beam Angle Options:	10° 30° 45° 60° 90°
Power Cable:	3/18AWG or 5/18AWG SOOW rubber cable
Protection Class:	IP68
Environment:	Dry / Pool
Mounting Hardware:	Embedded System
Net Weight:	3.8kgs with 1.5m cable
Lifetime:	>50000H

Order information

Item code	Color	Light source(w)	Line Way	Input Voltage (v)	Operating current (mA)	Consumption (w)	Luminous flux (lm)
88252.093.01	2700-3000K	9*3	V+/V-	AC/DC12-24	2250 / 1125	27	1260
88252.093.02	4000-4500K	9*3	V+/V-	AC/DC12-24	2250 / 1125	27	1330
88252.093.03	5000-5500K	9*3	V+/V-	AC/DC12-24	2250 / 1125	27	1395
88252.093.04	6000-6500K	9*3	V+/V-	AC/DC12-24	2250 / 1125	27	1395
88252.093.05	Red	9*3	V+/V-	AC/DC12-24	1500 / 750	18	315
88252.093.06	Green	9*3	V+/V-	AC/DC12-24	2250 / 1125	27	810
88252.093.07	Blue	9*3	V+/V-	AC/DC12-24	2250 / 1125	27	360
88252.093.08	Yellow	9*3	V+/V-	AC/DC12-24	2250 / 1125	27	855
88252.093.09	RGB-DMX512 (3 channel)	9*3	V+ /V-/D+/D-/GND	AC/DC12-24	R: 500 / 250 B: 750 / 375 G: 750 / 375	R: 6 B: 9 G: 9	R: 105 B: 120 G: 270
88252.093.10	RGB-DMX512 (3 channel)	9*3in1	V+ /V-/D+/D-/GND	AC/DC12-24	R: 750 / 375 B: 750 / 375 G: 750 / 375	R: 9 B: 9 G: 9	R: 225 B: 270 G: 540
88252.093.11	Auto changing color	9*3	V+/V-	AC12-24	R: 500 / 250 B: 750 / 375 G: 750 / 375	R: 6 B: 9 G: 9	R: 105 B: 120 G: 270
88252.093.13	RGBV+ (build-in CC driver)	9*3	R/G/B/V+	DC12-24	R: 500 / 250 B: 750 / 375 G: 750 / 375	R: 6 B: 9 G: 9	R: 105 B: 120 G: 270
88252.084.14	RGBW-DMX512 (4 channel)	8*4in1	V+ /V-/D+/D-/GND	DC24	R: 333 B: 333 G: 333 W: 333	R: 8 B: 8 G: 8 W: 8	R: 200 B: 240 G: 480 W: 720



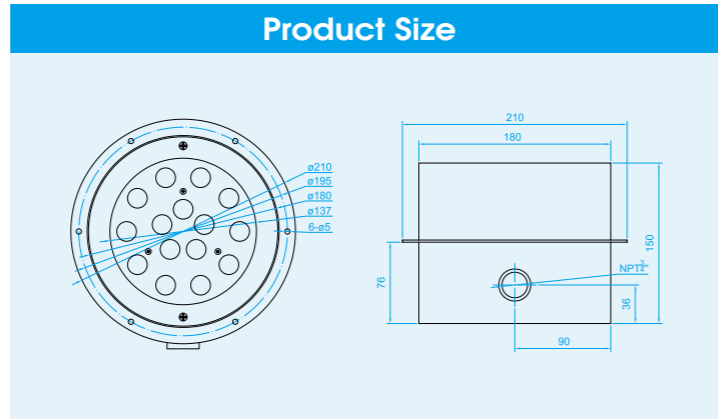
Specification

Model No.:	RS-RP36W316X(88254) / RS-RP48W316X(88254)
Front cover & Housing:	316L Stainless steel lamp body+Stainless steel 304 Niche
Dimensions:	D180*H150mm
Tempered Glass:	8mm thickness
LED chip:	Cree / Edison
LED Q'ty:	12pcs 3W LED / 12pcs 3in1 LED / 12pcs 4in1 LED
Cable gland:	Stainless steel 316L PG13.5
Driver:	Constant current driver
Lens:	Clear, Bead, Frosted
Beam Angle Options:	10° 30° 45° 60° 90°
Power Cable:	3/18AWG or 5/18AWG SOOW rubber cable
Protection Class:	IP68
Environment:	Dry / Pool
Mounting Hardware:	Embedded System
Net Weight:	5.5kgs with 1.5m cable
Lifetime:	>50000H

Order information

Item code	Color	Light source(w)	Line Way	Input Voltage (v)	Operating current (mA)	Consumption (w)	Luminous flux (lm)
88254.123.01	2700-3000K	12*3	V+/V-	AC/DC12-24	1500	36	1680
88254.123.02	4000-4500K	12*3	V+/V-	AC/DC12-24	1500	36	1776
88254.123.03	5000-5500K	12*3	V+/V-	AC/DC12-24	1500	36	1860
88254.123.04	6000-6500K	12*3	V+/V-	AC/DC12-24	1500	36	1860
88254.123.05	Red	12*3	V+/V-	AC/DC12-24	1000	24	420
88254.123.06	Green	12*3	V+/V-	AC/DC12-24	1500	36	1080
88254.123.07	Blue	12*3	V+/V-	AC/DC12-24	1500	36	480
88254.123.08	Yellow	12*3	V+/V-	AC/DC12-24	1500	36	1140
88254.123.09	RGB-DMX512 (3 channel)	12*3	V+ /V-/D+/D-/GND	DC24	R: 333 B: 500 G: 500	R: 8 B: 12 G: 12	R: 140 B: 160 G: 360
88254.123.10	RGB-DMX512 (3 channel)	12*3in1	V+ /V-/D+/D-/GND	DC24	R: 500 B: 500 G: 500	R: 12 B: 12 G: 12	R: 300 B: 360 G: 720
88254.123.11	Auto changing color	12*3	V+/V-	AC24	R: 333 B: 500 G: 500	R: 8 B: 12 G: 12	R: 140 B: 160 G: 360
88254.123.13	RGBV+ (build-in CC driver)	12*3	R/G/B/V+	DC24	R: 333 B: 500 G: 500	R: 8 B: 12 G: 12	R: 140 B: 160 G: 360
88254.124.15	RGBW-DMX512 (4 channel)	12*4in1	V+ /V-/D+/D-/GND	DC24	R: 500 B: 500 G: 500 W: 500	R: 12 B: 12 G: 12 W: 12	R: 300 B: 360 G: 720 W: 1080



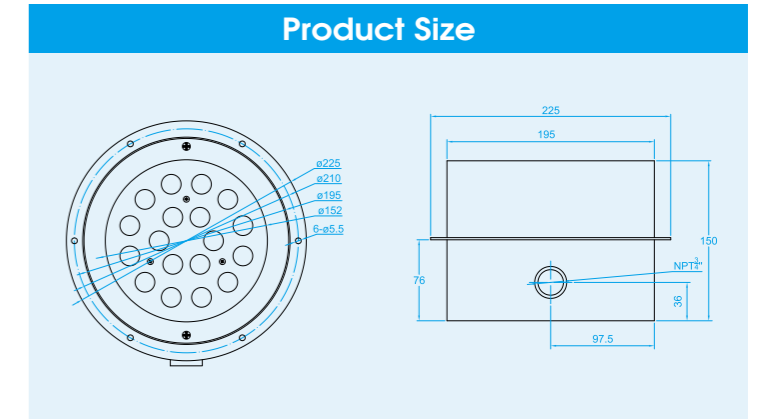


Specification

Model No.:	RS-RP45W316X(88254) / RS-RP64W316X(88254)
Front cover & Housing:	316L Stainless steel lamp body+Stainless steel 304 Niche
Dimensions:	D180*H150mm
Tempered Glass:	8mm thickness
LED chip:	Cree / Edison
LED Q'ty:	15pcs 3W LED / 15pcs 3in1 LED / 16pcs 4in1 LED
Cable gland:	Stainless steel 316L PG13.5
Driver:	Constant current driver
Lens:	Clear, Bead, Frosted
Beam Angle Options:	10° 30° 45° 60° 90°
Power Cable:	3/18AWG or 5/18AWG SOOW rubber cable
Protection Class:	IP68
Environment:	Dry / Pool
Mounting Hardware:	Embedded System
Net Weight:	5.5kgs with 1.5m cable
Lifetime:	>50000H

Order information

Item code	Color	Light source(w)	Line Way	Input Voltage (v)	Operating current (mA)	Consumption (w)	Luminous flux (lm)
88254.153.01	2700-3000K	15*3	V+/V-	AC/DC24	1875	45	2100
88254.153.02	4000-4500K	15*3	V+/V-	AC/DC24	1875	45	2220
88254.153.03	5000-5500K	15*3	V+/V-	AC/DC24	1875	45	2325
88254.153.04	6000-6500K	15*3	V+/V-	AC/DC24	1875	45	2325
88254.153.05	Red	15*3	V+/V-	AC/DC24	1250	30	525
88254.153.06	Green	15*3	V+/V-	AC/DC24	1875	45	1350
88254.153.07	Blue	15*3	V+/V-	AC/DC24	1875	45	600
88254.153.08	Yellow	15*3	V+/V-	AC/DC24	1875	45	1425
88254.153.09	RGB-DMX512 (3 channel)	15*3	V+ /V-/D+/D-/GND	DC24	R: 415 B: 625 G: 625	R: 10 B: 15 G: 15	R: 175 B: 200 G: 450
88254.153.10	Auto changing color	15*3	V+/V-	AC24	R: 415 B: 625 G: 625	R: 10 B: 15 G: 15	R: 175 B: 200 G: 450
88254.153.12	RGBV+ (build-in CC driver)	15*3	R/G/B/V+	DC24	R: 415 B: 625 G: 625	R: 10 B: 15 G: 15	R: 175 B: 200 G: 450
88254.153.13	RGB-DMX512 (3 channel)	15*3in1	V+ /V-/D+/D-/GND	DC24	R: 625 B: 625 G: 625	R: 15 B: 15 G: 15	R: 375 B: 450 G: 900
88254.164.15	RGBW-DMX512 (4 channel)	16*4in1	V+ /V-/D+/D-/GND	DC24	R: 666 B: 666 G: 666 W: 666	R: 16 B: 16 G: 16 W: 16	R: 400 B: 480 G: 960 W: 1440



Specification

Model No.:	RS-RP54W316X(88255) / RS-RP72W316X(88255) / RS-RP96W316X(88255)
Front cover & Housing:	316L Stainless steel lamp body+Stainless steel 304 Niche
Dimensions:	D195*H150mm
Tempered Glass:	8mm thickness
LED chip:	Cree / Edison
LED Q'ty:	18pcs 3W LED / 18pcs 3in1 LED / 24pcs 3in1 LED / 18pcs 4in1 LED / 24pcs 4in1 LED
Cable gland:	Stainless steel 316L PG13.5
Driver:	Constant current driver
Lens:	Clear, Bead, Frosted
Beam Angle Options:	10° 30° 45° 60° 90°
Power Cable:	3/18AWG or 5/18AWG SOOW rubber cable
Protection Class:	IP68
Environment:	Dry / Pool
Mounting Hardware:	Embedded System
Net Weight:	6.5kgs with 1.5m cable
Lifetime:	>50000H

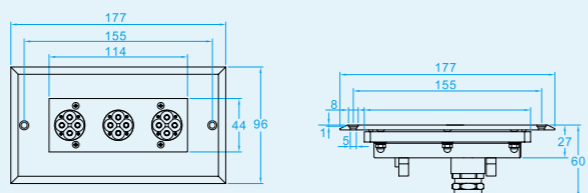
Order information

Item code	Color	Light source(w)	Line Way	Input Voltage (v)	Operating current (mA)	Consumption (w)	Luminous flux (lm)
88255.183.01	2700-3000K	18*3	V+/V-	AC/DC24	2250	54	2520
88255.183.02	4000-4500K	18*3	V+/V-	AC/DC24	2250	54	2664
88255.183.03	5000-5500K	18*3	V+/V-	AC/DC24	2250	54	2790
88255.183.04	6000-6500K	18*3	V+/V-	AC/DC24	2250	54	2790
88255.183.05	Red	18*3	V+/V-	AC/DC24	1500	36	630
88255.183.06	Green	18*3	V+/V-	AC/DC24	2250	54	1620
88255.183.07	Blue	18*3	V+/V-	AC/DC24	2250	54	720
88255.183.08	Yellow	18*3	V+/V-	AC/DC24	2250	54	1710
88255.183.09	RGB-DMX512 (3 channel)	18*3	V+ /V-/D+/D-/GND	DC24	R: 500 B: 750 G: 750	R: 12 B: 18 G: 18	R: 210 B: 240 G: 540
88255.183.10	Auto changing color	18*3in1	V+ /V-/D+/D-/GND	DC24	R: 750 B: 750 G: 750	R: 18 B: 18 G: 18	R: 450 B: 540 G: 1080
88255.183.11	Auto changing color	18*3	V+/V-	AC24	R: 500 B: 750 G: 750	R: 12 B: 18 G: 18	R: 210 B: 240 G: 540
88255.183.13	RGBV+ (build-in CC driver)	18*3	R/G/B/V+	DC24	R: 500 B: 750 G: 750	R: 12 B: 18 G: 18	R: 210 B: 240 G: 540
88255.243.14	RGB-DMX512 (3 channel)	24*3in1	V+ /V-/D+/D-/GND	DC24	R: 1000 B: 1000 G: 1000	R: 24 B: 24 G: 24	R: 600 B: 720 G: 1440
88255.244.15	RGBW-DMX512 (4 channel)	24*4in1	V+ /V-/D+/D-/GND	DC24	R: 1000 B: 1000 G: 1000 W: 1000	R: 24 B: 24 G: 24 W: 24	R: 600 B: 420 G: 1440 W: 1680
88255.184.16	RGBW-DMX512 (4 channel)	18*4in1	V+ /V-/D+/D-/GND	DC24	R: 750 B: 750 G: 750 W: 750	R: 18 B: 18 G: 18 W: 18	R: 450 B: 540 G: 1080 W: 1620





Product Size



Specification

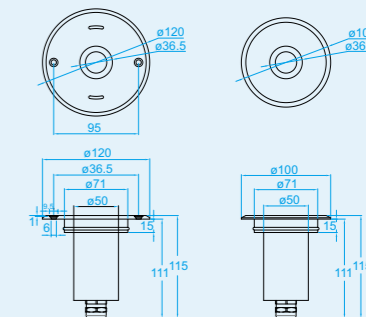
Model No.:	RS-UW36W316X-L-SA(88456)
Front cover & Housing:	Stainless steel 316L
Dimensions:	L177*W96*H60mm
Tempered Glass:	8mm thickness
LED chip:	Cree
LED Q'ty:	9pcs 3W LED / 12pcs 3W LED
Cable gland:	Stainless steel 316L PG13.5
Driver:	Constant current driver
Lens:	Clear, Bead
Beam Angle Options:	10° 30° 60°
Power Cable:	3/18AWG or 5/18AWG S00W rubber cable
Protection Class:	IP68
Environment:	Dry / Submerged
Mounting Hardware:	Surface Mounted System
Net Weight:	1.8kgs with 1.5m cable
Lifetime:	>50000H

Order information

Item code	Color	Light source(w)	Line Way	Input Voltage (v)	Operating current (mA)	Consumption (w)	Luminous flux (lm)
88456.093.01	2700-3000K	9*3	V+/V-	AC/DC24	1500	27	1260
88456.093.02	4000-4500K	9*3	V+/V-	AC/DC24	1500	27	1332
88456.093.03	5000-5500K	9*3	V+/V-	AC/DC24	1500	27	1395
88456.093.04	6000-6500K	9*3	V+/V-	AC/DC24	1500	27	1395
88456.093.05	Red	9*3	V+/V-	AC/DC24	1500	18	315
88456.093.06	Green	9*3	V+/V-	AC/DC24	1500	27	810
88456.093.07	Blue	9*3	V+/V-	AC/DC24	1500	27	360
88456.093.08	Yellow	9*3	V+/V-	AC/DC24	1500	27	855
88456.093.09	RGB-DMX512 (3 channel)	9*3	V+ /V-/D+/D-/GND	DC24	R: 250 B: 375 G: 375	R: 6 B: 9 G: 9	R: 105 B: 120 G: 270
88456.123.12	RGBW-DMX512 (4 channel)	12*3	V+ /V-/D+/D-/GND	DC24	R: 500 B: 500 G: 500 W: 500	R: 12 B: 12 G: 12 W: 12	R: 300 B: 360 G: 720 W: 1080



Product Size



Specification

Model No.:	RS-RP10X120G(88461)
Front cover & Housing:	Stainless steel 316L
Dimensions:	D120*H115mm / D100*H115mm
Tempered Glass:	5mm thickness
LED chip:	CREE
LED Q'ty:	1pc 10W LED
Cable gland:	Stainless steel 316L PG13.5
Driver:	Constant current driver
Lens:	Clear, Bead, Frosted
Beam Angle Options:	10° 30° 60°
Power Cable:	AWG 5/18 or AWG 3/18 S0W rubber cable
Protection Class:	IP68
Environment:	Dry / Submerged
Mounting Hardware:	Embedded System
Net Weight:	0.75kgs with 1.5m cable
Lifetime:	>50000H

Order information

Item code	Color	Light source(w)	Line Way	Input Voltage (v)	Operating current (mA)	Consumption (w)	Luminous flux (lm)
88461.110.01	2700-3000K	1*10	V+/V-	DC12-24	500 / 250	6	540
88461.110.02	4000-4500K	1*10	V+/V-	DC12-24	500 / 250	6	570
88461.110.03	5000-5500K	1*10	V+/V-	DC12-24	500 / 250	6	600
88461.110.04	6000-6500K	1*10	V+/V-	DC12-24	500 / 250	6	600
88461.110.12	RGBW-DMX512 (4 channel)	1*4in1	V+ /V-/D+/D-/GND	DC12-24	R: 166 / 83 B: 166 / 83 G: 166 / 83 W: 166 / 83	R: 2 B: 2 G: 2 W: 2	R: 62 B: 75 G: 150 W: 225
88461.110.14	RGBW-RDM (4 channel)	1*4in1	V+ /V-/D+/D-/GND	DC12-24	R: 166 / 83 B: 166 / 83 G: 166 / 83 W: 166 / 83	R: 2 B: 2 G: 2 W: 2	R: 62 B: 75 G: 150 W: 225

